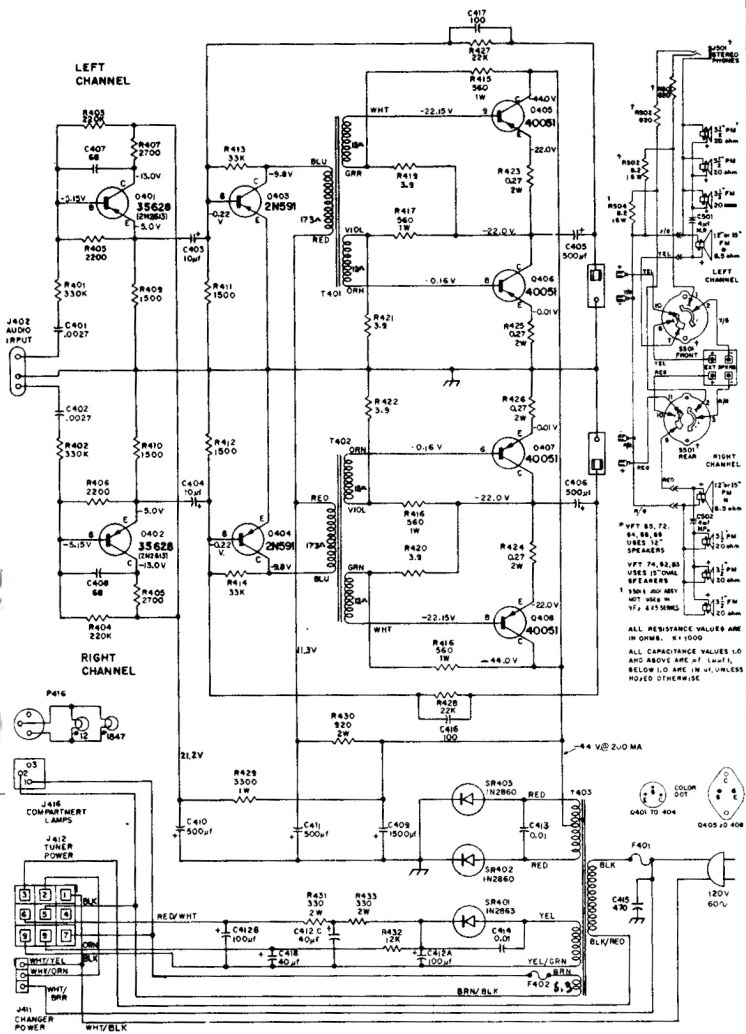
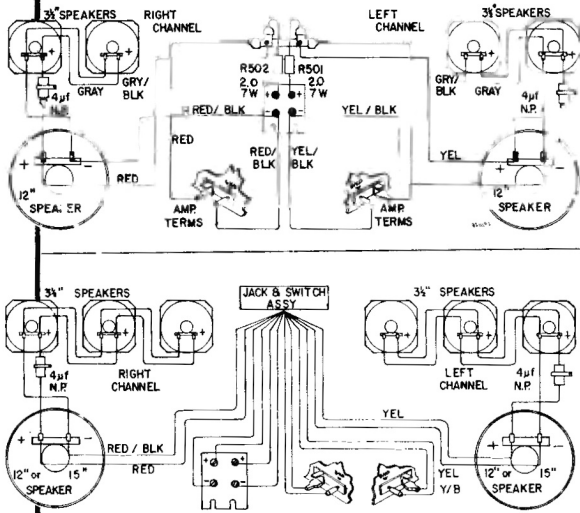
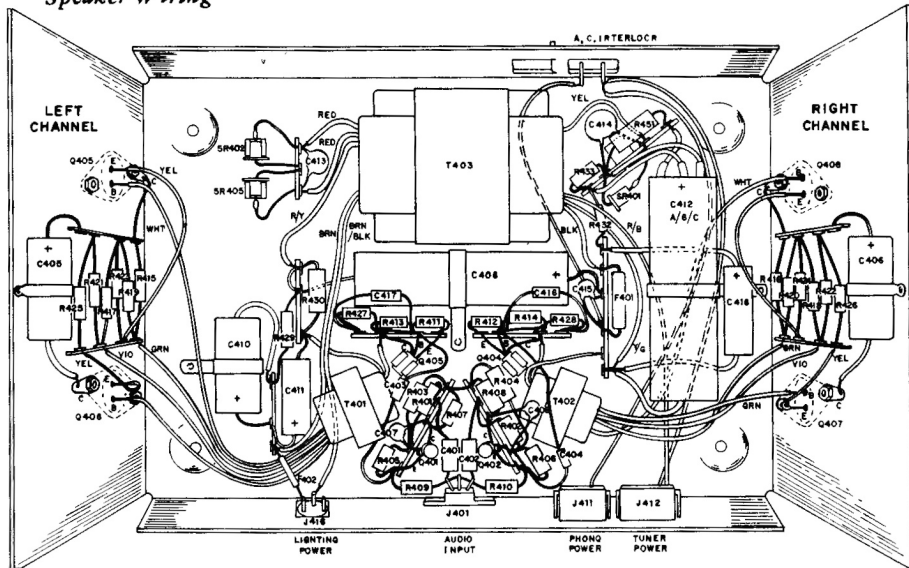


RCA VICTOR

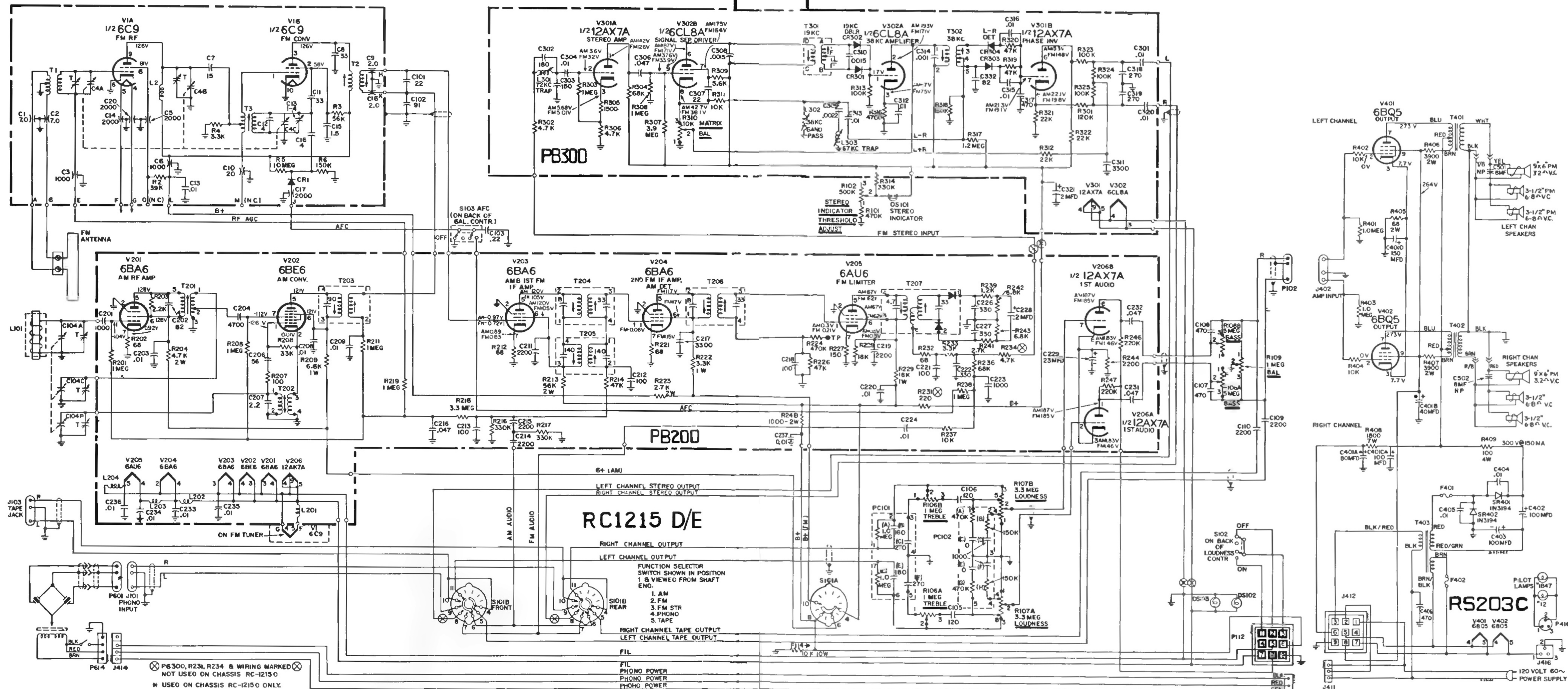
Models VFT 44W, VFT 52M, VFT 54L, VFT 56C, VFT 65W, VFT 72W, VFT 74L, VFT 74Z, VFT 76W, VFT 82M, VFT 82V, VFT 83F, VFT 83V, VFT 84E, VFT85W, VFT 86L, employ Amplifier Chassis RS-210A covered on this page, and Tuner Chassis RC-1215J or K which are practically identical to the RC-1215E chassis



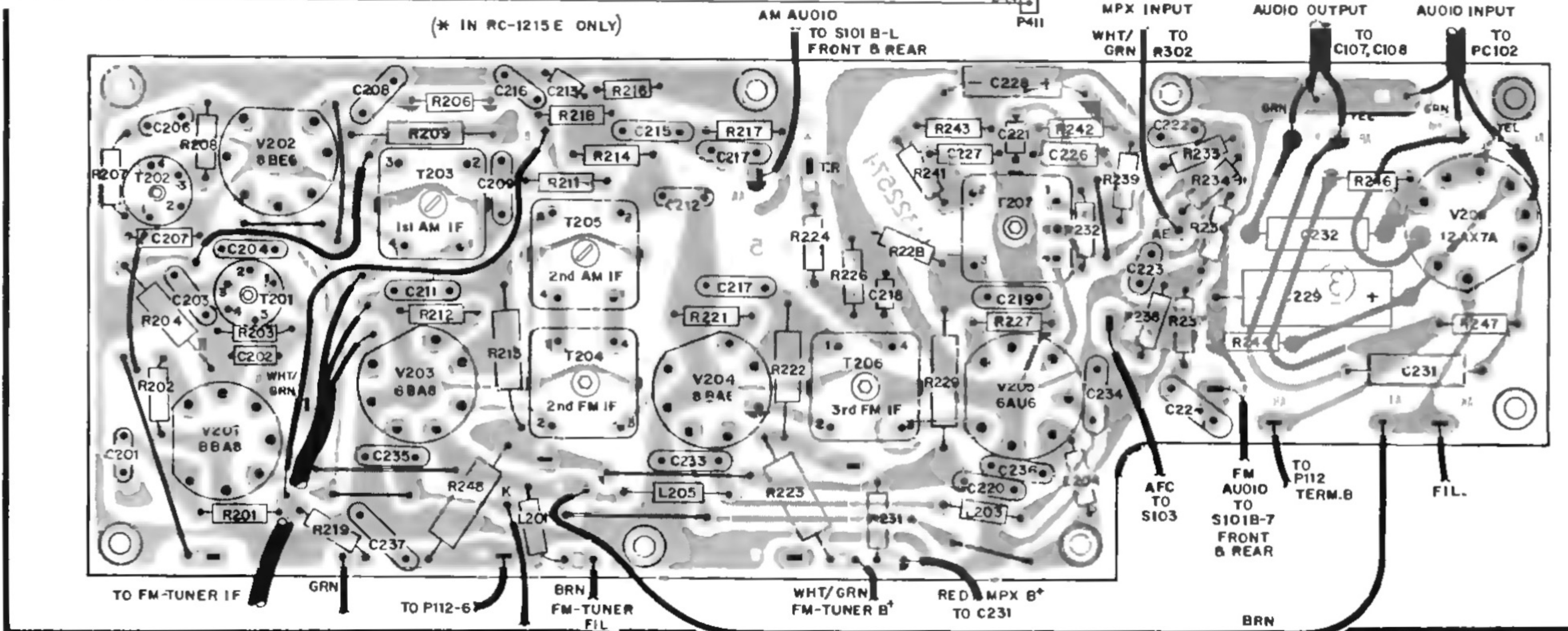
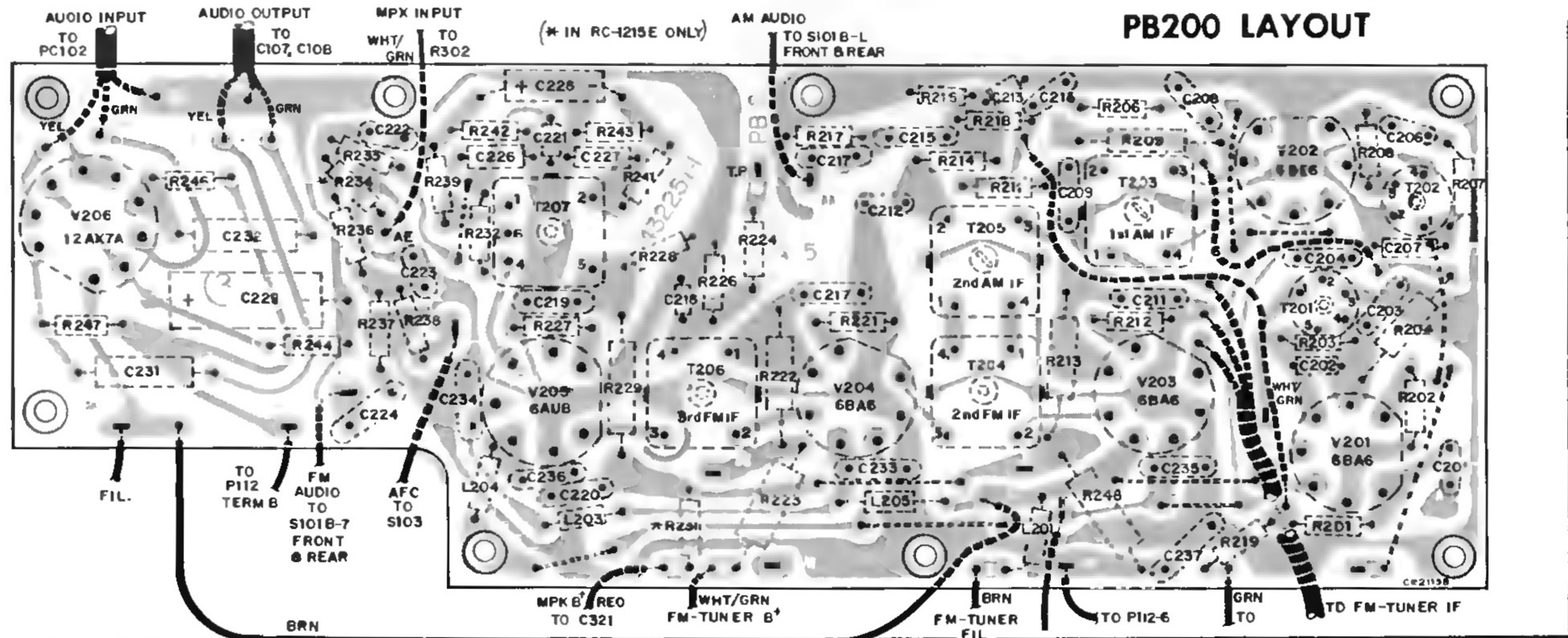
Speaker Wiring



RS-210A Chassis Layout



PB200 LAYOUT



View from Wiring Side

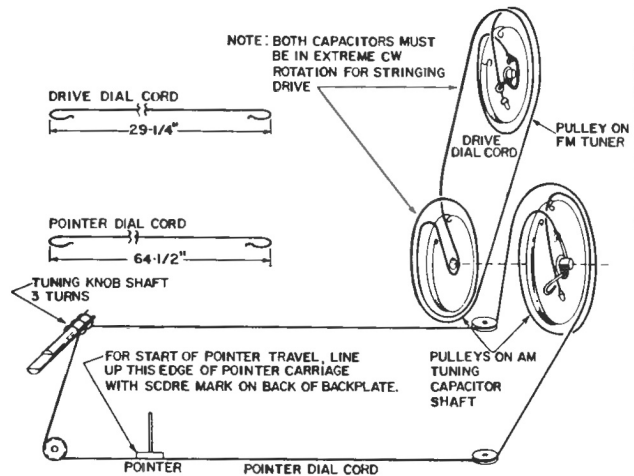
View from Component Side

RCA VICTOR

Model Series	Tuner Chassis	Amplifier Chassis
VFR05M	RC-1215D	RS-203C
VFR05W	RC-1215D	RS-203C
VFR19M	RC-1215D	RS-203C
VFR25L	RC-1215D	RS-203C
VFT05M	RC-1215E	RS-203C
VFT05W	RC-1215E	RS-203C
VFT10E	RC-1215E	RS-203C
VFT19M	RC-1215E	RS-203C
VFT22W	RC-1215E	RS-203C
VFT25L	RC-1215E	RS-203C

Tuner Chassis RC-1215D is an AM/FM tuner (No Stereo)

Tuner Chassis RC-1215E is an AM/FM/FM-Stereo tuner



Dial Cord Arrangement

All instruments are self-contained combination Radio/"Victrola" consoles designed to provide in-the-cabinet stereophonic reproduction. Models in the VFT 0, 1, and 2 series contain an AM/FM/FM-Stereo tuner, a stereophonic record changer, a dual channel audio amplifier, and two complete speaker systems. The VFR 0, 1, and 2 series instruments do not incorporate FM-Stereo or the stereo indicator light, but in all other respects are identical to the VFT 0, 1, and 2 series combination consoles.

Tape injut jacks are provided in all instruments as well as a terminal block for the connection of external speakers. When used, external speakers are connected in parallel with the internal speaker system.

PB300 LAYOUT

